

**ALPINE**

**Parts and Price Catalogue**



**WEST MIDLANDS  
LIMITED**



## Sunbeam Alpine & Tiger Parts Catalogue

### INDEX

Introduction .....	2
How to Order .....	3
Panels .....	4
Rubbers .....	6
Soft Trim .....	8
Fittings (Exterior & Interior) .....	10
Lights .....	14
Glass .....	15
Paint .....	15
Literature .....	15
Brakes .....	16
Service & Engine .....	18
Engine .....	19
Gaskets .....	21
Cooling System .....	21
Fuel System .....	21
Clutch .....	22
Gearbox .....	23
Rear Axle .....	23
Suspension & Steering (inc. Shock Absorbers) .....	24
Wheel Components .....	27
Exhaust .....	28
Electrical & Ignition .....	29
Tiger Supplement .....	30
Used/Secondhand Spares .....	32
Gift Vouchers .....	32

*www.sunbeam-alpine.co.uk*

*Alpine West Midlands Ltd,*

*Units 7 and 8, R/O 271 Birchfield Road, Headless Cross, Redditch, Worcs B97 4NB*

*Tel: 01527 401498 Fax: 01527 543494*

Dear Sunbeam Owner

Hello, and welcome to our latest parts catalogue...

Thank you for contacting us and taking the time to discover the vast range of parts available to the Alpine and Tiger owner. Alpine West Midlands Ltd has now been established for Nearly 30 years. We still strive to provide quality parts at reasonable prices. We are continually adding to and improving our computerised inventory. We use a number of carrier companies to provide efficient delivery around the world and hope you won't be disappointed.

Please contact us with any questions. We will always try to help and advise.

Look forward to hearing from you...

Sue



## **How to Order**

You will find an order form enclosed with this catalogue to help you. We accept orders by telephone, fax, mail or e-mail. We are a mail order company so please note that visits are strictly by appointment only. Please telephone to avoid disappointment!

## **Payment**

We accept payment by credit or debit card (Visa/Mastercard/Debit Card), cheque, bank draft, bank transfer, postal order and even cash. Please note we allow one week for cheque clearance before goods can be despatched. Please ensure you include full details of your car with your order. We endeavour to keep the majority of parts listed in stock, although some are to special order only. Hence it is worth checking availability before placing your order. Payment must be made for all orders prior to despatch. Title of goods supplied passes to the customer only upon receipt of full payment.

## **Delivery**

In general, allow 10% postage and packing within the UK although this can be subject to variation. Minimum post/packing charge is £4 by mail. Bulkier items are sent by carrier, allow £18.00 per parcel. If in doubt, please contact us for advice.

Do not sign for goods until you have verified the condition of the delivered consignment. Overseas customers please contact us for advice on delivery charges.

## **VAT**

All parts and postage/carriage charges are subject to VAT (at current value) with the exception of books which are VAT exempt. VAT applies to customers within the EC unless a VAT number is supplied together with proof of export. Orders sent direct to non-EC customers are VAT exempt.

## **Warranty**

All parts are fully warranted against defects in materials and workmanship. In most cases warranty will not cover labour, failure of a related component, failure resulting from faulty installation or misuse, nor would liability exceed the cost of the original component. During the Warranty Period (usually 12 months) please advise us immediately of any problem that occurs. We will then advise you as to the best course of action. With all claims a copy of the purchase invoice must be produced.

## **Returns**

Any parts correctly supplied but later returned will be subject to a 20% handling charge. All returns, for whatever reason, must be made within 28 days from receipt of goods. The invoice number must be quoted with any returns/claims.

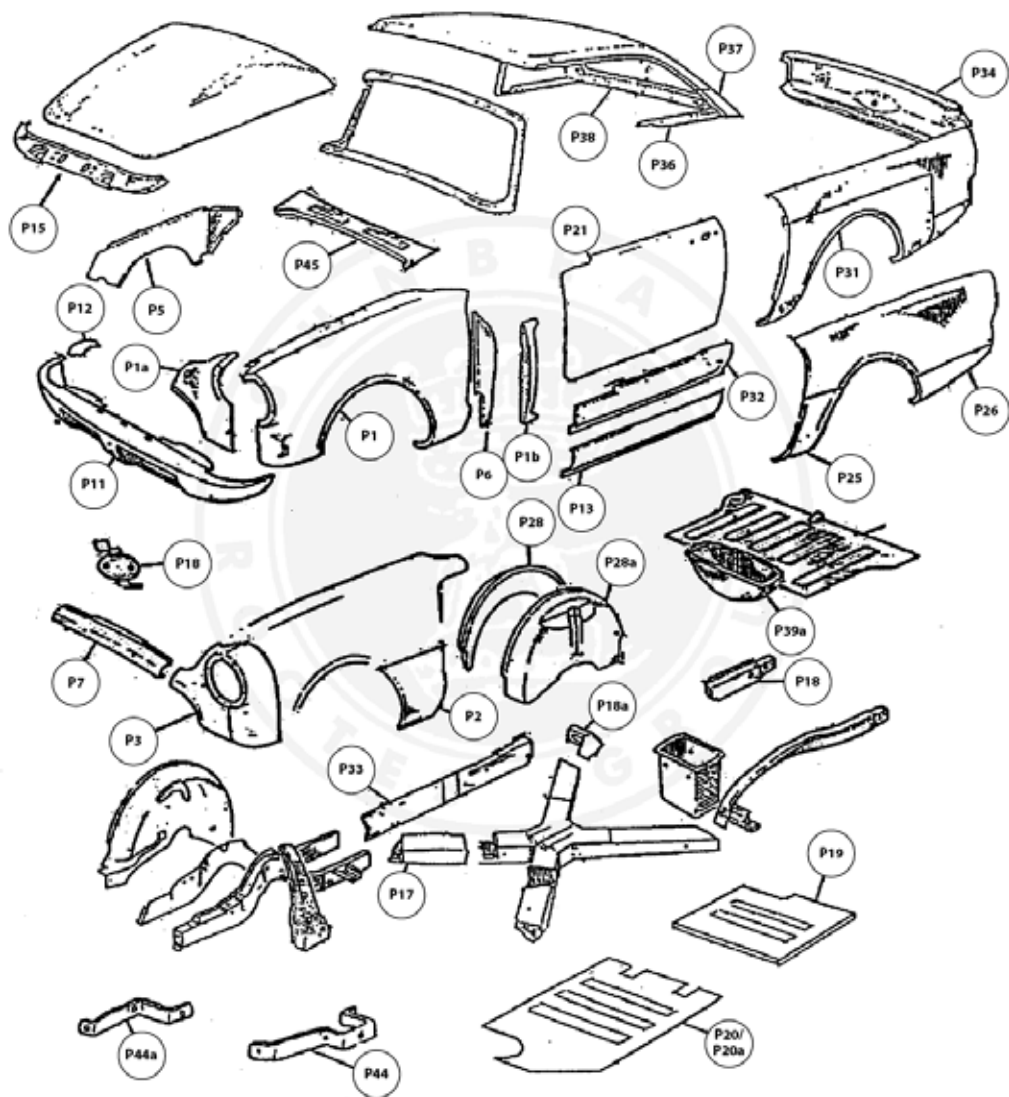
## **Discount**

We offer a discount of 5% to all Sunbeam Owners Club Members, with proof of membership.

## **N.B.**

We reserve the right to change prices and specifications without notice.

## Panels



All panels are hand made by various manufacturers.  
A non refundable deposit of 10% is payable upon order.  
Please note that delivery can sometimes exceed four weeks

## Panels

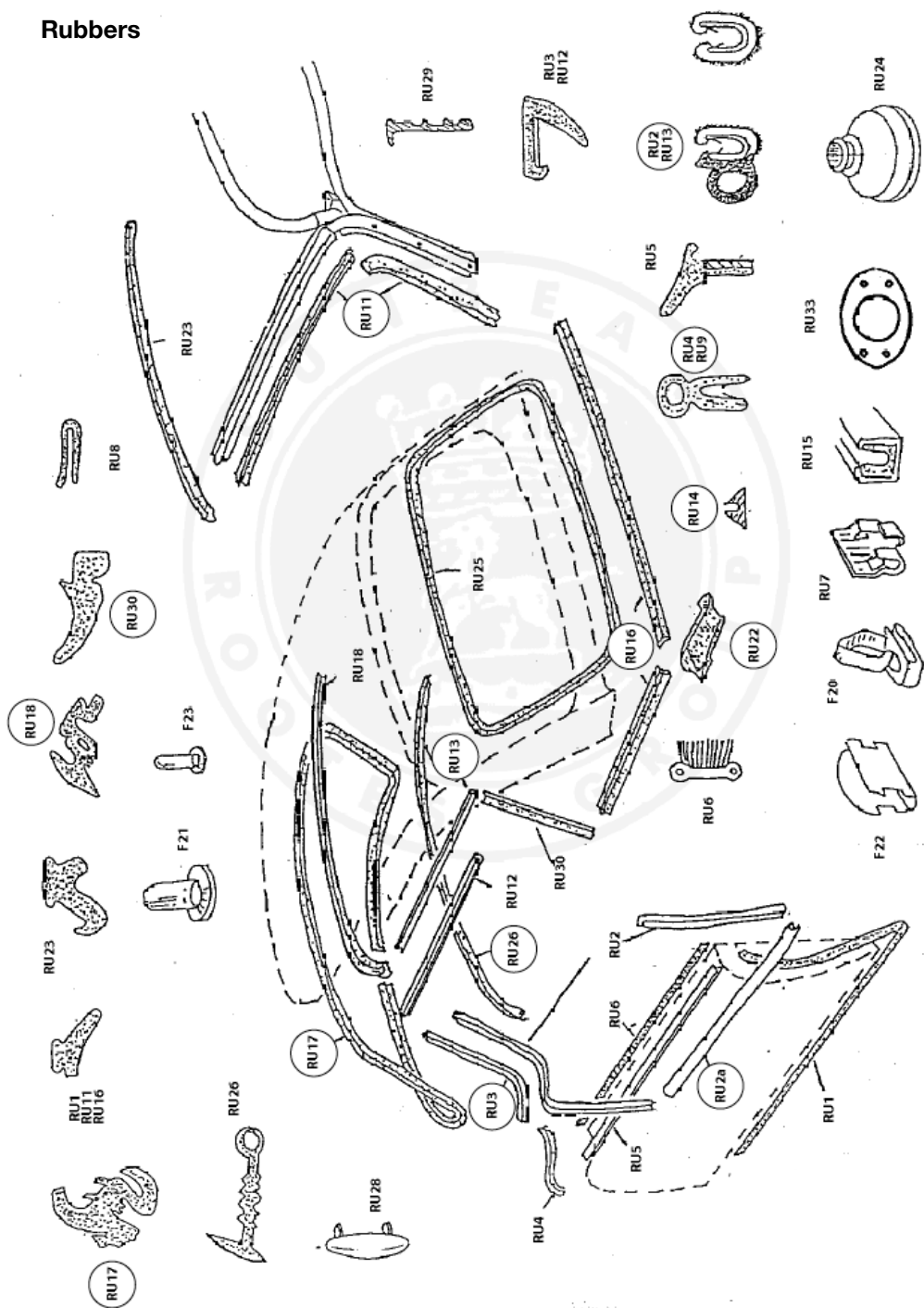
Part Description		Fits Series					
P1	Front Wing	1	2	3	4	5	T
P1c	Front Wing with Complete Nose Section	1	2	3	4	5	T
P1a	Front Wing Fillet	1	2	3	4	5	T
P1b	Front Wing Attachment Panel	1	2	3	4	5	T
P2	Front Wing Rear Quarter	1	2	3	4	5	T
P3	Front Nose Section Complete	1	2	3	4	5	T
P3a	Headlamp Repair Section 6" long	1	2	3	4	5	T
P3b	Headlamp Repair Section 3" long	1	2	3	4	5	T
P4	Headlamp Ring	1	2	3	4	5	T
P5	Front Inner Wing	1	2	3	4	5	T
P6	Front Wing Splashpanel	1	2	3	4	5	T
P7	Front Bar Connecting Wings (Double Skinned)	1	2	3	4	5	T
P8	Grill Centre Badge Backing Plate	-	-	-	-	5	T
P9	Front Wing Lower Half	1	2	3	4	5	T
P11a	Front Valance Skirt Only	1	2	3	4	5	T
P11	Front Valance Complete	1	2	3	4	5	T
P12	Grill Side Above Valance	1	2	3	4	5	T
P13	Outer Sill	1	2	3	4	5	T
P14	Sill Step	1	2	3	4	5	T
P15	Bonnet Hinge Panel	1	2	3	4	5	T
P16	Headlamp Bowl & Screw Kit (Plastic)	1	2	3	4	5	T
P17	Front Cruciform Repair Panel	1	2	3	4	5	T
P17a	Front Chassis Section (Joins Cruciform to Sill)	1	2	3	4	5	T
P18	Rear Spring Rear Hanger/Jacking Point	1	2	3	4	5	T
P18a	Rear Spring Front Hanger Repair Section	1	2	3	4	5	T
P19	Rear Floor Panel (with Channelling)	-	-	3	4	5	T
P20	Front Floor Panel (with Channelling)	1	2	3	4	5	T
P21	Doorskin	1	2	3	4	5	T
P22	Doorskin Bottom 8 Inches	1	2	3	4	5	T
P23	Under Door Panel (with Drain Holes)	1	2	3	4	5	T
P25	Rear Wing Front Section	1	2	3	4	5	T
P26	Rear Wing Rear Section	1	2	3	4	5	T
P27a	Battery Box	1	2	3	4	5	-
P27	Battery Box Cover (with Hinges)	1	2	3	4	5	-
P28	Rear Wing Inner Arch Outer Half	1	2	3	4	5	T
P28a	Rear Wing Inner Arch Inner Section	1	2	3	4	5	T
P29	Rear Wheelarch	1	2	3	4	5	T
P30	Rear Arch Including Front Section	1	2	3	4	5	T
P31	Rear Wing Lower Half	1	2	3	4	5	T
P32	Middle Sill (Heavy Gauge)	1	2	3	4	5	T
P33	Inner Sill (Inside Car)	1	2	3	4	5	T
P34	Rear Valance Complete	1	2	3	4	5	T
P36	Hardtop Sidewindow Bottom Rail	-	-	3	4	5	T
P37	Hardtop Vertical Side Kit	-	-	3	4	5	T
P37a	Hardtop Vertical Side with Part Backrail	-	-	3	4	5	T
P38	Hardtop Backrail	-	-	3	4	5	T
P39	Boot Floor (without Wheelwell)	-	-	3	4	5	T
P39a	Boot Floor Wheelwell Only	-	-	3	4	5	T
P40	Bootlid Repair Section	1	2	3	4	5	T
P42	Rear Cruciform Repair Section	1	2	3	4	5	T
P44	Front Bumper Irons - Pair	1	2	3	4	5	T
P44a	Rear Bumper Irons - Pair	1	2	3	4	5	T
P47	Convertible Upright Back Panel	-	-	-	-	5	T
P48	Fibreglass Replacement Hardtop (Ready to Fit)	-	-	3	4	5	T
P49	Radiator Support Panel	1	2	3	4	5	T
P50	Front Jacking Point/Chassis Repair (14")	1	2	3	4	5	T
P51	Centre Outtrigger Complete	1	2	3	4	5	T
P51a	Centre Outtrigger Cover Plate	1	2	3	4	5	T
P54	Handbrake Repair Panel	1	2	3	4	5	T
P55	Stainless Steel Cover Sills - Pair	1	2	3	4	5	T

### Easikits

Includes all panels to replace inner and outer sills at a discount rate.

PAN1 Sill Kit Includes: pairs of P2, P13, P14, P25, P32 & P33.

# Rubbers



## Rubbers

Part Description		Fits Series					
RU1	Doorseal on door	1	2	3	4	5	T
RU2	Door Aperture Seal (Front & Back)	1	2	3	4	5	T
RU2a	Door Aperture Seal (Along Sills)	1	2	3	4	5	T
RU3	'A' Post Seal	-	-	3	4	5	T
RU4	Door Water Channel Seal	1	2	3	4	5	T
RU5	Door Window Weather Strip - Exterior, pair	1	2	3	4	5	T
RU5a	Clip for RU5 (Sold Singly)	1	2	3	4	5	T
RU6	Door Window Weather Strip - Interior, pair	1	2	3	4	5	T
RU7	Clips for RU6 - Packet of 10	1	2	3	4	5	T
RU8	Bonnet Seal	1	2	3	4	5	T
RU9	Boot Seal	1	2	3	4	5	T
RU10	Front Sidelight Body Seal - Left or Right hand	-	-	-	4	5	T
RU10a	Front Sidelight Lens Gasket	-	-	-	4	5	T
RU11	Soft Top Frame Cantrail Seal	-	-	3	4	5	T
RU12	Hardtop Cantrail Seal	-	-	3	4	5	T
RU13	Hardtop Headlining Trim	-	-	3	4	5	T
RU14	Override Beading (per metre)	1	2	3	4	5	T
RU15	Vertical Window Channel In Door (Front)	1	2	3	4	5	T
RU16	Hardtop to Body Seal	-	-	3	4	5	T
RU17	Windscreen Glass Surround Seal	-	-	3	4	5	T
RU17a	Windscreen Glass Surround Seal (Cut Length - Correct Profile)	1	2	-	-	-	-
RU18	Hardtop to Windscreen Seal	-	-	3	4	5	T
RU20	Headlamp Body Seal (Peaked)	1	2	3	4	5	T
RU22	Hardtop Rear Corner Pad - Left or Right hand	-	-	3	4	5	T
RU23	Soft Top to Windscreen Seal	-	-	3	4	5	T
RU24	Gearstick Gaitor	1	2	3	4	5	T
RU25	Hardtop Rear Window Surround Seal	-	-	3	4	5	T
RU26	Windscreen Base Seal	1	2	3	4	5	T
RU27	Tail-light to Body Seal	-	-	-	4	5	T
RU27a	Tail-light Lens Gasket	-	-	-	4	5	T
RU28	Override Rubber Buffer	-	-	-	4	5	T
RU29	Rear Soft Top to Body Seal	1	2	3	4	5	T
RU30	Hardtop Vertical Quarterlight Seal each	-	-	3	4	5	T
RU31	Tail-light to Body Seal	1	2	3	-	-	-
RU31a	Tail-light Lens Gasket	1	2	3	-	-	-
RU33	Petrol Cap Gasket	-	-	-	4	5	T
RU33a	Petrol Cap Grommet	1	2	-	-	-	-
RU34	Handbrake Lever Rubber Boot	1	2	-	-	-	-

### Easikits

Rubber Seal Kits including all necessary seals and clips at a discount rate.

SEA1 Doorseal Kit

includes: RU1, RU2, RU2a, RU3, RU4, RU5, RU5a, RU6, RU7 & RU15

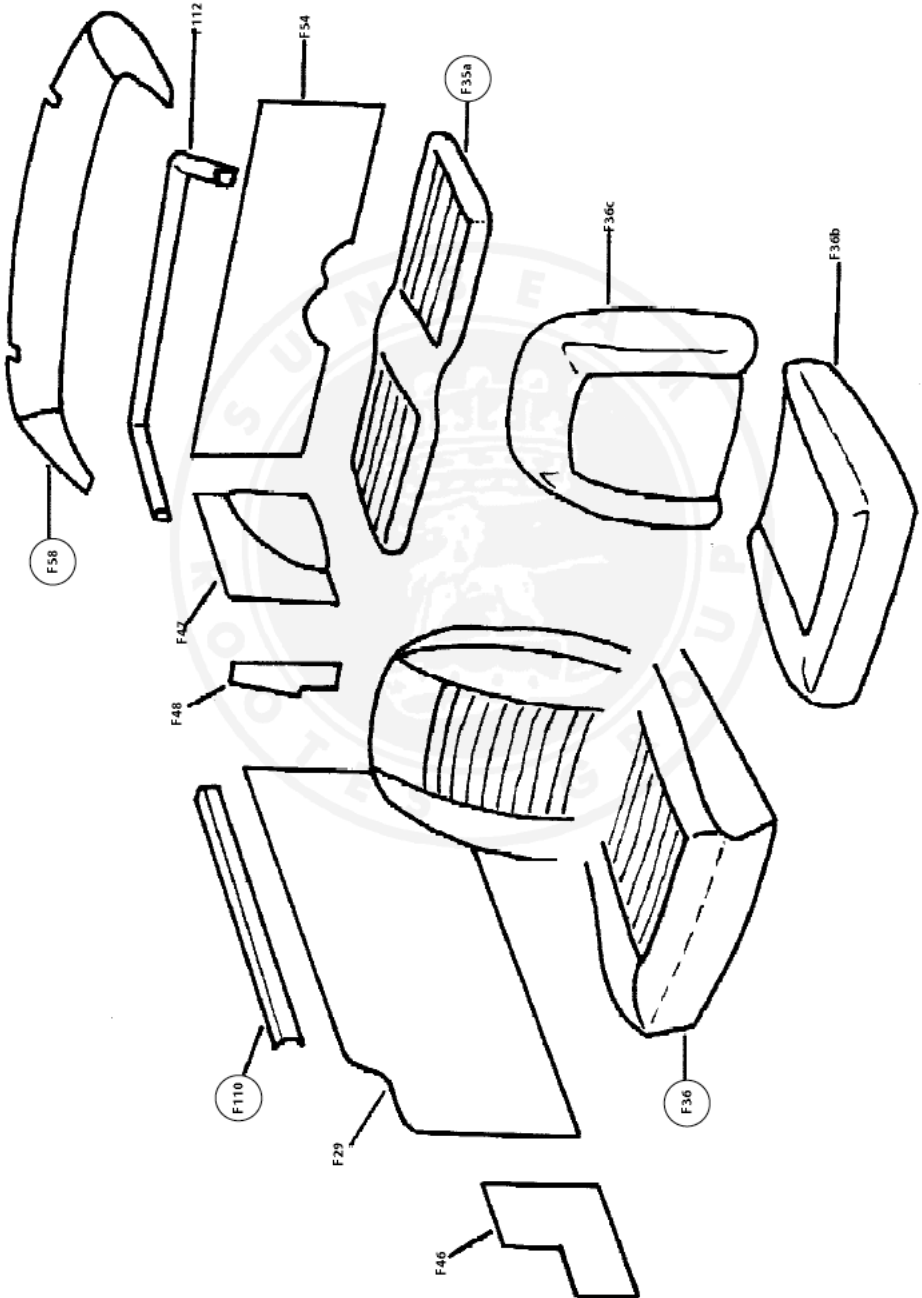
SEA2 Alpine 3-5 Sports (soft top) Kit

includes: RU1, RU2, RU2a, RU3, RU4, RU5, RU5a, RU6, RU7, RU8, RU9, RU11, RU15, RU17, RU23, RU26 & RU29

SEA3 Alpine Hard Top Kit 3/4/5/T

includes: RU1, RU2, RU2a, RU3, RU4, RU5, RU5a, RU6, RU7, RU8, RU9, RU12, RU15, RU16, RU17, RU18 & RU26

# Soft Trim



## Soft Trim

Part Description		Fits Series					
F11	Carpet Set (made to our own patterns) Black	1	2	3	4	5	T
F11a	Carpet Set (made to our own patterns) Colours	1	2	3	4	5	T
F111	Carpet Soundproofing Kit (ready cut or can be sold by metre)	1	2	3	4	5	T
F11b	Carpet Fasteners (Packet of 10)	1	2	3	4	5	T
F12	Tonneau Cover - ICI Vynide	1	2	3	4	5	T
F12a	Tonneau BK Mohair	1	2	3	4	5	T
F12b	Tonneau Cover - Canvas/Double Duck	1	2	3	4	5	T
F13	Hood - Top Quality ICI Vynide (Black)	-	-	3	4	5	T
F13a	Hood - Canvas/Double Duck (Black or Fawn)	-	-	3	4	5	T
F13b	Early Hood, One or Three Windows - ICI Vynide (Black)	1	2	-	-	-	-
F13c	Early Hood, Canvas/Double Duck (1 or 3 windows Black or Fawn)	1	2	-	-	-	-
F13d	Mohair Hood Colours	-	-	3	4	5	T
F13e	Vinyl-Colours	-	-	3	4	5	T
F13f	Mohair Hood Early 1 or 3 windows	1	2	-	-	-	-
F13g	Vinyl Hood Early Colours 1 or 3 windows	1	2	-	-	-	-
F19	Tonneau Peg on Car Body	1	2	3	4	5	T
F19a	Tonneau Peg on Front Dashboard	1	2	3	4	5	T
F20	Doorcasings Clips (Packet of 20)	1	2	3	4	5	T
F21	Doorcasing Nylon Inserts (Packet of 20)	1	2	3	4	5	T
F22	Interior Trim Clips - Hold Seatcovers etc, (Packet of 20)	1	2	3	4	5	T
F29	Doorcasings Convertible (Pair)	-	-	3	4	5	-
F29a	Doorcasings GT (Pair)	-	-	3	4	5	T
F29b	Doorcasings (Pair)	1	2	-	-	-	-
F35	Rear Seat Cushion (Thin)	1	2	-	-	-	-
F35a	Rear Seat Cushion (Thick)	-	-	3	4	5	T
F36	Front Seat Cover (Back & Base)	-	-	3	4	5	T
F36a	Front Seat Cover (Back & Base)	1	2	-	-	-	-
F36b	Foam Moulded Seat Base	-	-	3	4	5	T
F36c	Foam Moulded Seat Back	-	-	3	4	5	T
F44	Hardtop Headlining	-	-	3	4	5	T
F46	Front Footwell Trims (Pair)	1	2	3	4	5	T
F47	Rear Seat Sidetrims Convertible (Pair)	-	-	3	4	-	T
F47a	Rear Seat Sidetrims Convertible (Pair)	-	-	-	-	5	T
F47b	Rear Seat Sidetrims GT (Pair)	-	-	3	4	5	T
F47c	Rear Seat Sidetrims (Pair)	1	2	-	-	-	-
F48	'B' Post Trims (Pair)	1	2	3	4	5	T
F52	Tonneau Hood Fasteners (Packet of 5)	1	2	3	4	5	T
F53	Boot Carpet (Black)	-	-	3	4	5	-
F54	Upright Back Panel Convertible	-	-	-	-	5	T (Mk1a)
F54a	Upright Back Panel GT	-	-	3	4	5	-
F54b	Upright Back Panel Convertible	-	-	3	4	5	T (Mk1)
F54c	Upright Back Panel	1	2	-	-	-	-
F58	Hood Cover for Convertible	-	-	-	-	5	-
F59	Boot Interior Vertical panel Set	-	-	3	4	5	T
F101	Dashboard Pad, Moulded Top	1	2	3	4	5	T
F110	GT Door Roll Tops - Pair	-	-	3	4	5	T
F102	Seat Diaphragm	-	-	3	4	5	T
F112	Convertible Back Panel Rolltop (Complete)	-	-	-	-	5	T (Mk1a)
F113	Vinyl, per metre (54" wide)	1	2	3	4	5	T

VINYL TRIM: BLACK IN STOCK, COLOURS AVAILABLE TO SPECIAL ORDER SUBJECT TO A 15% SURCHARGE.

### Easikits

Rubber Seal Kits including all necessary seals and clips at a discount rate.

TRIMKIT 1 Alpine Series 1/2 inc: F11, F111, F11b, F20, F21, F22, F29b, F35, F36a, F46, F47c, F48, F54c

TRIMKIT 2 Alpine 3/4 Sports inc: F11, F111, F11b, F20, F21, F22, F29, F35a, F36, F36b, F36c, F46, F47, F48, F54b, F102

TRIMKIT 3 Alpine 3/4/5 GT inc: F11, F111, F11b, F20, F21, F22, F29a, F35a, F36, F36b, F36c, F46, F47b, F48, F54a, F102

TRIMKIT 4 Alpine 5 Sports inc: F11, F111, F11b, F20, F21, F22, F29, F35a, F36, F36b, F36c, F46, F47a, F48, F54, F58, F102, F112

**All Trimkits are in black. Other colours and contrasting piping are available at extra cost.**

REN001 Canvas and Mohair hood renovator 1 litre, black, blue & brown

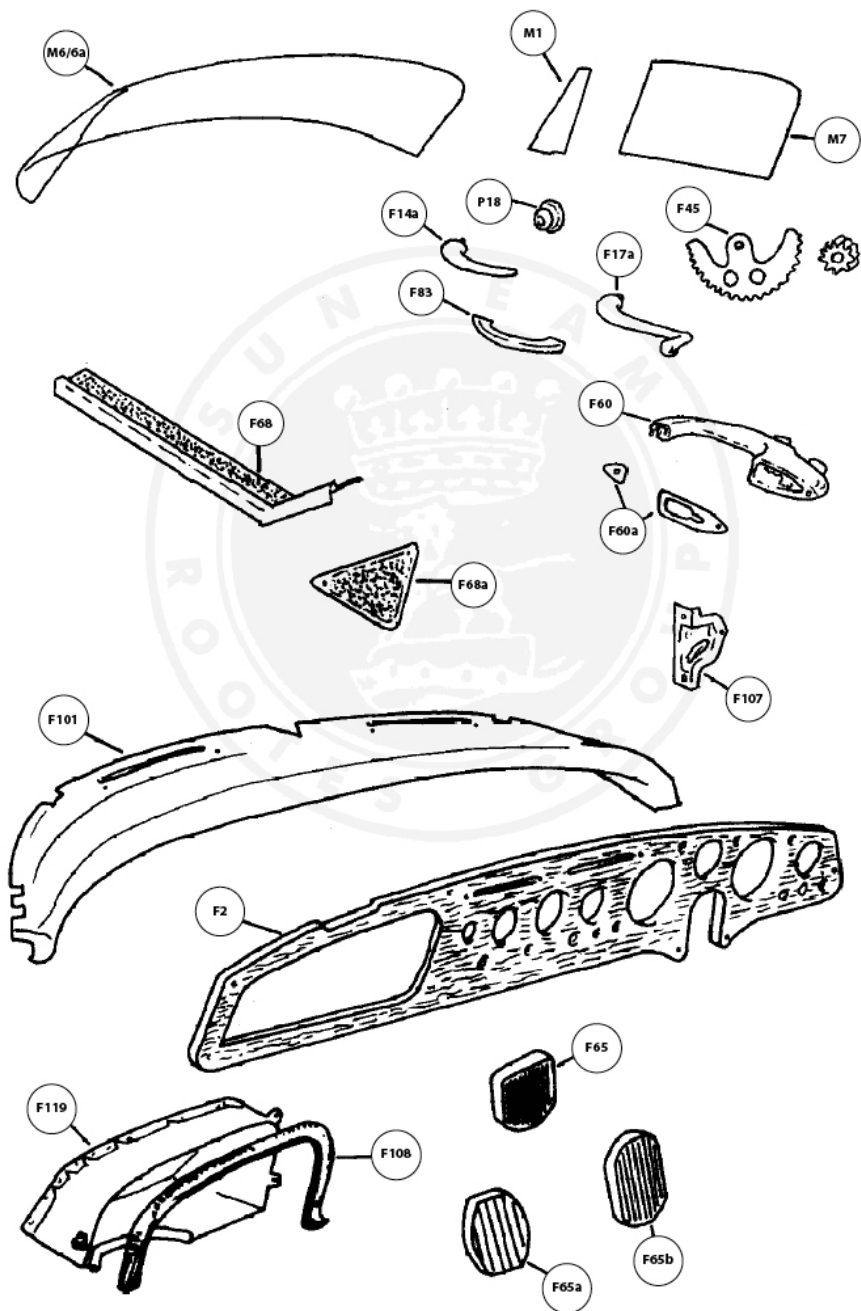
REN002 Ultra Proofer 1 litre - use after renovator for canvas and Mohair

REN003 Soft top cleaner - canvas and Mohair 500ml use before renovator

REN004 Vinyl soft top cleaner 500ml

REN005 Vinyl Ultra Proofer - 500ml

# Dash/Door/Pedals/Glass



## Fittings - Exterior & Interior

Part Description	Fits Series
F2 Dashboard - Walnut, Top Quality	1 2 3 4 5 T
F2a Dashboard with Hinge & Glovebox Lid - Walnut	1 2 3 4 5 T
F8 Wiper Arm Chrome Bezel	1 2 3 4 5 T
F8a Wiper Arm Bezel Nut	1 2 3 4 5 T
F9 Wiper Arm - Polished Stainless Steel	1 2 3 4 5 T
F10 Wiper Blade - Polished Stainless Steel	1 2 3 4 5 T
F14 Interior Doorhandle	- - 3 4 5 T
F14a Interior Doorhandle	1 2 - - -
F15 Seatbelts, Car Set, Three-point Static	1 2 3 4 5 T
F16 Horn Ring - Chrome & Strengthened	1 2 3 4 5 T
F17 Interior Window Winder Handle	- - 3 4 5 T
F17a Interior Window Winder Handle	1 2 - - -
F18 Chrome Baseplate for F14/F17	- - 3 4 5 T
F23 Plastic Inserts to hold Scripts (Packet of 20)	1 2 3 4 5 T
F24 Pair new doorlock barrel & keys fits	1 2 3 4 5 T
F25a Replacement Ignition Switch Barrel + Key	1 2 3 4 5 T
F26 Alpine Script	1 2 3 4 5 T
F27 Sunbeam Letter Set	1 2 3 4 5 T
F28 Chrome Shield Surround	- - 3 4 5 T
F28b Perspex Shield Insert: IV, 1725, Alp.260, Ford V8	- - - 4 5 T
F28c Perspex Shield Insert: 3 (Red Background) -	- - 3 - -
F32 Chrome Petrol Cap Lid & Push Button	- - - 4 5 T
F34 Chrome Boot Pull	1 2 3 4 5 T
F37 Courtesy Light Screw Switch (On Door Hingde)	- - 3 4 5 T
F38 Door Hinge Pin Kit (per Door)	1 2 3 4 5 T
F39 Chrome Bumper Bolt (Shaped)	1 2 3 4 5 T
F39a Bumper Iron Spacer	1 2 3 4 5 T
F42 Door Hinge Screw	1 2 3 4 5 T
F43 Bumper to Override Bolt	- - - 4 5 T
F45 Window Winder Quadrant, Gear & Bush Kit	- - 3 4 5 T
F49 Hood Panel Instruction Decal	- - 3 4 5 T <i>(Mk1)</i>
F51 Chrome Lidded Ashtray	1 2 3 4 5 T
F55 Upper Grill Finisher	1 2 3 4 5 T
F55a Fixings for F55 (Packet of 8)	1 2 3 4 5 T
F60 Doorhandle Exterior Casing, Push & Flap	1 2 3 4 5 T
F60a Door Hingde Gaskets - Car Set	- - 3 4 5 T
F63 Chrome Bootthings (Pair)	1 2 3 4 5 T
F63a Gasket Set for F63 (per Car)	1 2 3 4 5 T
F65 Rubber Pedal Pad (Brake or Clutch)	1 2 - - -
F65a Rubber Pedal Pad (Brake or Clutch)	- - 3 4 - T
F65b Rubber Pedal Pad (Brake or Clutch)	- - - - 5 -

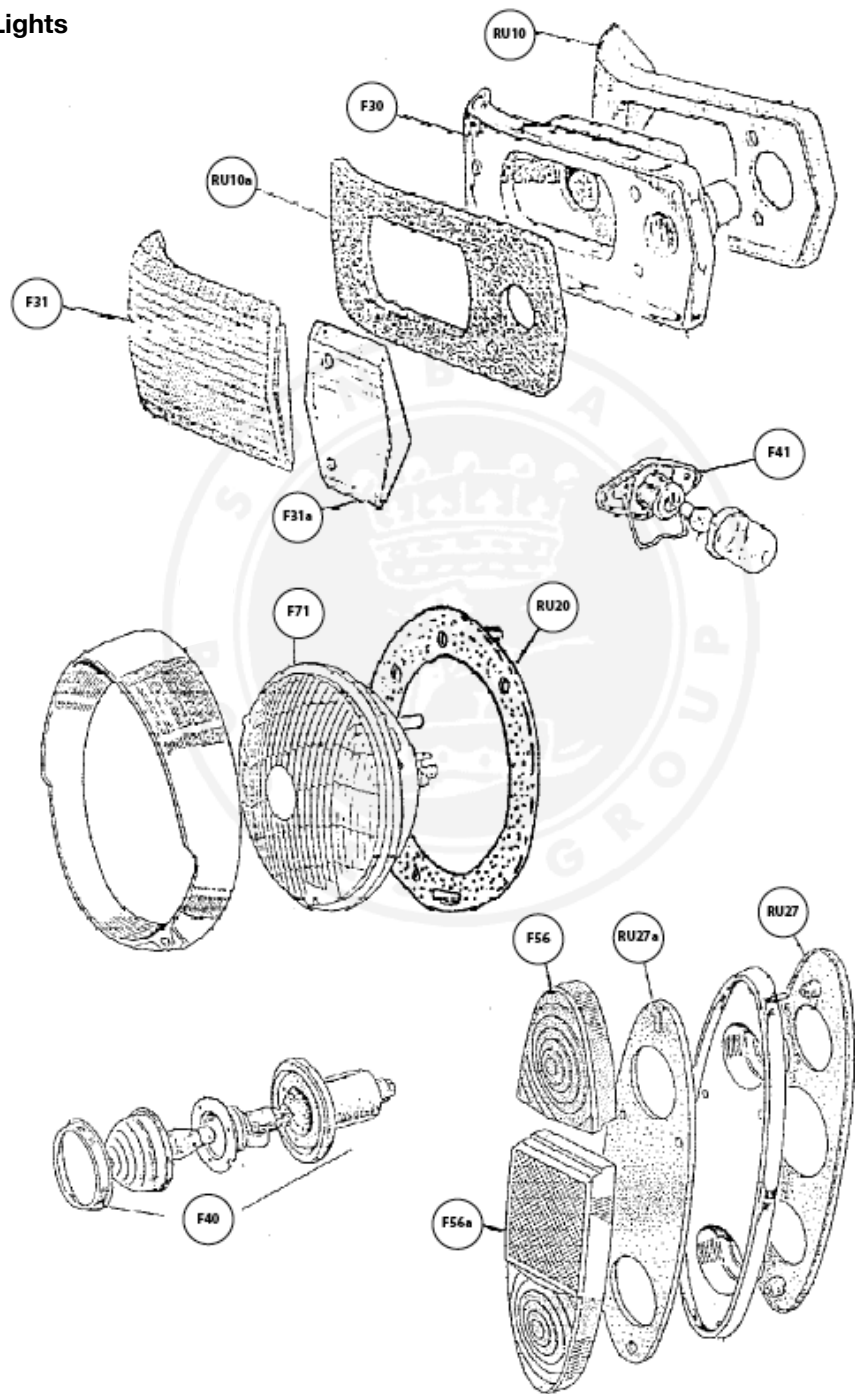


**Fittings - Exterior & Interior (continued)**

Part Description		Fits Series					
F66	Lower Grille Finisher	1	2	3	4	5	T
F66a	Clips for F66 (Paket of 5)	1	2	3	4	5	T
F68	Door Treadplates, Aluminium (Pair)	1	2	3	4	5	T
F68a	Door Triangles, Patterned, Aluminium (Pair)	1	2	3	4	5	T
F69	Grille Centre Bars (Pair)	-	-	-	4	5	T
F70	Union Jack Enamel Badge	1	2	3	4	5	T
F72	Chrome Grille Centre Boss	-	-	-	4	5	T
F72b	Perspex Centre Boss Insert	-	-	-	4	5	T
F75	Door/Wing Mirror, Racing/Bullet Type (Others Available)	1	2	3	4	5	T
F83	Interior Door Grab Handle	1	2	3	4	5	T
F85	Bootlock Grommet	1	2	3	4	5	T
F87	Enamel/Chrome Bonnet Badge	1	2	-	-	-	-
F90	Soft Top Corner Screen Locators (Pair)	-	-	3	4	5	T
F93	Bonnet Buffer	1	2	3	4	5	T
F94	Bonnet Stay Rubber Clip	1	2	3	4	5	T
F104	Wiper Base Gaskets (Pair)	1	2	3	4	5	T
F107	Door Catch (Dovetail) on Door	1	2	3	4	5	T
F108	Glovebox Surround, Reproduction with Studs (LHD or RHD)	1	2	3	4	5	T
F116	Chrome Hubcap	1	2	3	4	5	T
F118	Hood Bin Pivot Screwset	-	-	3	4	-	T
F119	Glovebox (In Dashboard) fibreglass replacement (LHD or RHD)	1	2	3	4	5	T
F120	Chrome Wheel Rim Trim (Plain)	1	2	3	4	5	T
F121	Stainless Steel Headlamp Stoneguards (Pair)	1	2	3	4	5	T
F122	Stainless Steel Badge Bar (22" Long)	1	2	3	4	5	T
F124	Wood Steering Wheel Motolita (with Boss)	1	2	3	4	5	T
F126	Centre Console Recon (Exchange)	1	2	3	4	5	T
F127	Hood Frame Header Rail	-	-	3	4	5	T



# Lights



## Light Fittings

### Part Description

### Fits Series

F30	Front Sidelight Chrome Base Unit with Bulbholders	-	-	-	4	5	T
F30a	Indicator Bulb	-	-	-	4	5	T
F30b	Front Sidelight Bulb (for our Sidelights only)	-	-	-	4	5	T
F30c	Brake/Tail-light Bulb	1	2	3	4	5	T
F31	Amber Front Lens	-	-	-	4	5	T
F31a	Clear Front Lens	-	-	-	4	5	T
F40	Front Sidelight Unit Complete	1	2	3	-	-	-
F41	Number Plate Light (on Rear Valance)	1	2	3	4	5	T
F56	Amber Rear Lens	-	-	-	4	5	T
F56a	Red Rear Lens	-	-	-	4	5	T
F71	Sealed Beam Headlight (RHD Only)	1	2	3	4	5	T
F71a	Halogen Replacement Headlight Kit with Bulbs (per Car)	1	2	3	4	5	T
F71b	Halogen Bulb	1	2	3	4	5	T
F100	Dashboard Bulb, Screw Fitting	1	2	3	4	5	T
F125	Power Light Bulbs (Pack of 2)	1	2	3	4	5	T
F131	Headlamp 3 Pin Connector Block	1	2	3	4	5	T

### Glass

M1	Front Quarterlight	-	-	3	4	5	T
M3	Hardtop Rear Window (Perspex)	-	-	3	4	5	T
M3a	Early Hardtop Rear Window (Shaped Perspex)	1	2	-	-	-	-
M4	Hardtop Quarterlight (Perspex)	-	-	3	4	5	T
M6	Front Windscreen, Laminated	-	-	3	4	5	T
M6a	Early Front Windscreen, Laminated	1	2	-	-	-	-
M7	Doorglass	-	-	3	4	5	T
M7a	Early Doorglass	1	2	-	-	-	-

### Paint

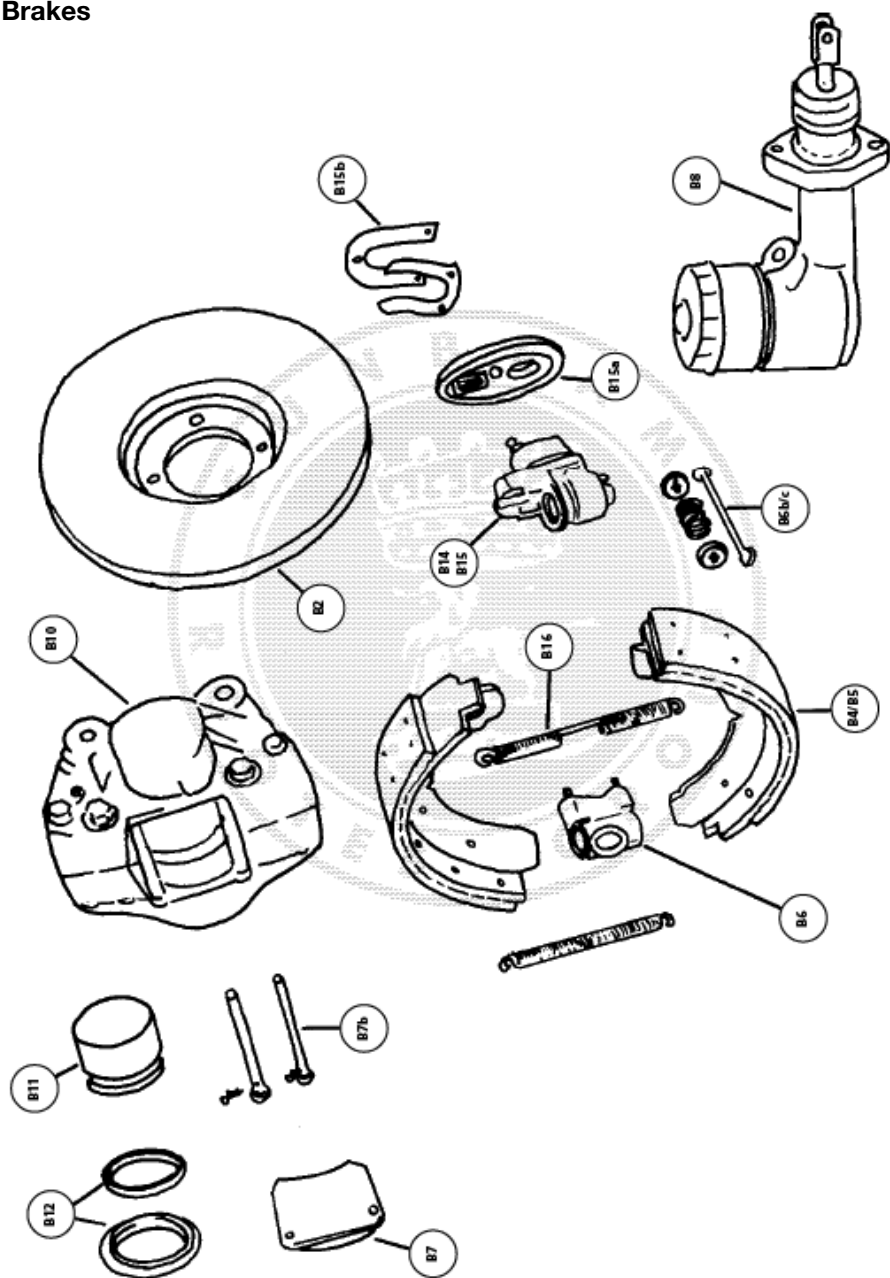
*Top quality paint available mixed to original specification, all Rootes colours available, just state the colour code or name.*

PA1	One Litre Tin - Cellulose	1	2	3	4	5	T
PA2	Ready-mixed Aerosol, 400ml	1	2	3	4	5	T
PA3	One Litre Tin - Acrylic	1	2	3	4	5	T

### Books/Literature

SE41	Workshop Manual (Reprint of Original)	1	2	3	4	5	T
SE52	Alpine Parts Book (Reprint of Original)	1	2	3	4	5	T
SE55	"Alpine Tiger Gold Portfolio" (All Old Roadtests)	1	2	3	4	5	T

## Brakes



## Brakes

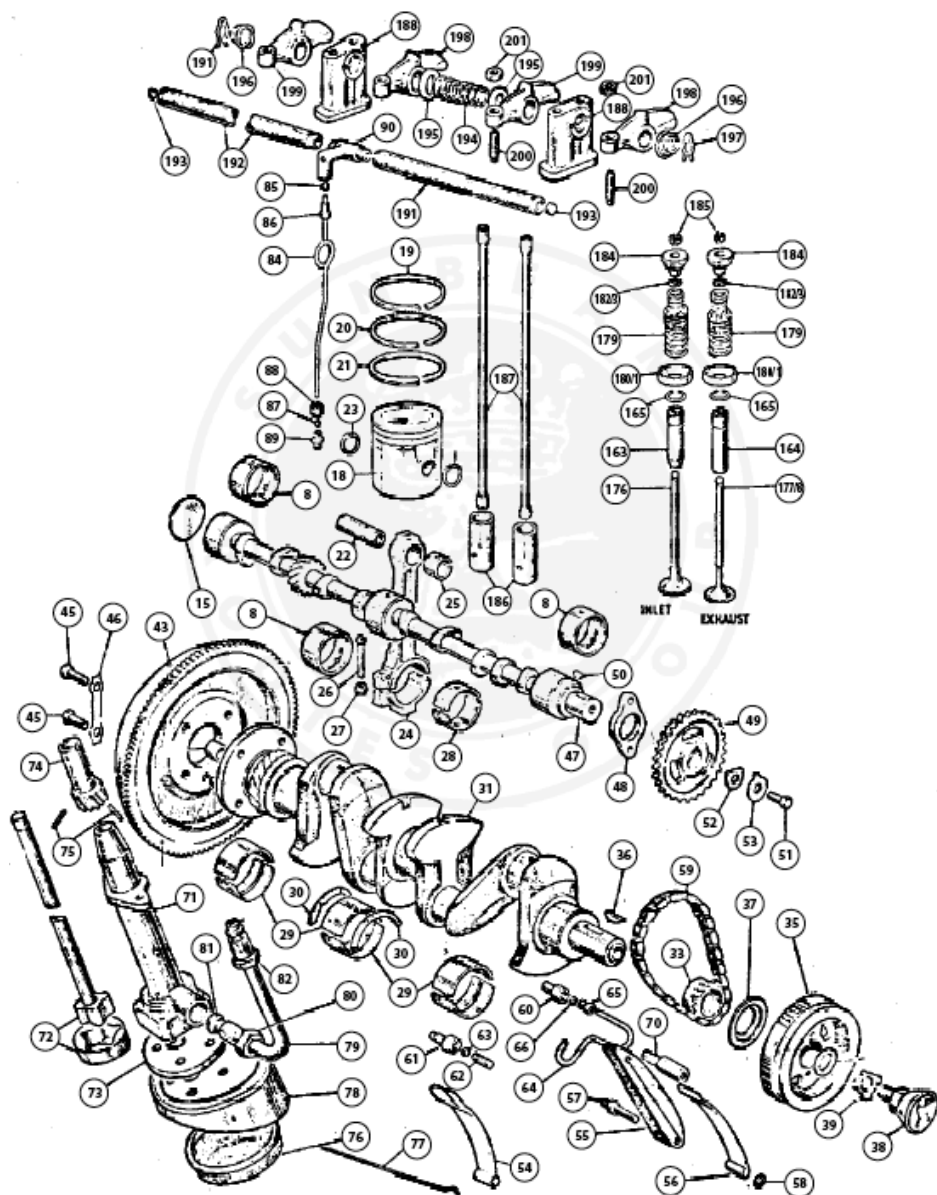
Part Description		Fits Series									
B2	Front Brake Disc	-	-	3	4	-	T				
B3	Servo Overhaul Kit	1	2	3	4	-	T				
B3v	Servo Overhaul Kit	-	-	-	-	5	-				
B3a	Replacement Lockheed Servo Unit with Fitting Kit	1	2	3	4	5	T				
B4	Rear Brake Shoe Set	1	2	3	4	-	T				
B5	Rear Brake Shoe Set	-	-	-	-	5	-				
B6	Rear Shoe Adjuster	1	2	3	4	-	T				
B7	Front Brake Pad Set	-	-	3	4	-	T				
B7a	Front Brake Pad Set	1	2	-	-	-	-				
B7b	Brake Pad Retaining Pins	1	2	3	4	5	-				
B7d	Anti Rattle Pin + Clipset	-	-	-	4	5	-				
B8	Brake Master Cylinder	-	-	3	4	-	T				
B8a	Brake Master Cylinder	1	2	-	-	-	-				
B8b	Brake Master Cylinder LHD	1	2	-	-	-	-				
B8c	Brake Master Cylinder LHD	-	-	3	4	5	T				
B9	Brake Master Cylinder Seal Kit	-	-	3	4	-	T				
B9a	Brake Master Cylinder Seal Kit	1	2	-	-	-	-				
B10	Brake Caliper, Reconditioned Exchange Unit	1	2	3	4	5	T				
B11	Caliper Piston (4 per Car)	1	2	3	4	5	T				
B12	Caliper Seal Kit, Car Set	1	2	3	4	5	T				
B13	Caliper/Wheel Cylinder Bleedscrew Set	1	2	3	4	5	T				
B14	Rear Wheel Cylinder	-	-	-	-	5	-				
B14a	Rear Wheel Cylinder	1	2	-	-	-	-				
B14c	Rear Wheel Cylinder Seal Kit, Car Set 1 2	1	2	-	-	-	-				
B14d	Rear Wheel Cylinder Seal Kit, Car Set	-	-	-	5	-					
B15	Rear Wheel Cylinder	-	-	3	4	-	T				
B15a	Wheel Cylinder Dust Cover	-	-	3	4	-	-				
B15b	Wheel Cylinder Fitting Kit, Car Set	1	2	3	4	5	T				
B15c	Wheel Cylinder Seal Kit, Car Set	-	-	3	4	-	T				
B16	Wheel Cylinder Adjusters (Self Adjusting Brakes Only)	-	-	-	-	5	-				
B17	Brake Pipe Kit - Kunifer	1	2	3	4	-	-				
B17a	Brake Pipe Kit - Kunifer	-	-	-	-	5	-				
B19	Handbrake Cable	-	-	-	-	5	T				
B19a	Handbrake Cable	-	-	3	4	-	-				
B19b	Handbrake Cable	1	2	-	-	-	-				
B20	Axle Cable	-	-	3	4	-	-				
B21	Braided Stainless Steel Brake Hose Kit (TUV Approved) - 3 piece	1	2	3	4	5	T				
B22	Rear Brake Hose (One per Car)	1	2	3	4	5	T				
B23	Front Brake Hose (Two per Car)	1	2	3	4	5	T				
B24	Hydraulic Brake Light Switch	1	2	3	4	5	T				

We only stock top quality brake components. Wherever possible our brake parts are genuine Girling or Lockheed (or similar mainstream manufacturer).

We are agents for the ultimate Automec Silicone brake fluid.

SIL1	Silicone Brake Fluid (1 Litre Bottle)	1	2	3	4	5	T				
SIL2	Silicone Brake Fluid (1 Litre Bottle)	1	2	3	4	5	T				

## Service & Engine



Note: Numbers are for identification purposes only - they do not relate to part numbers.

## Service & Engine

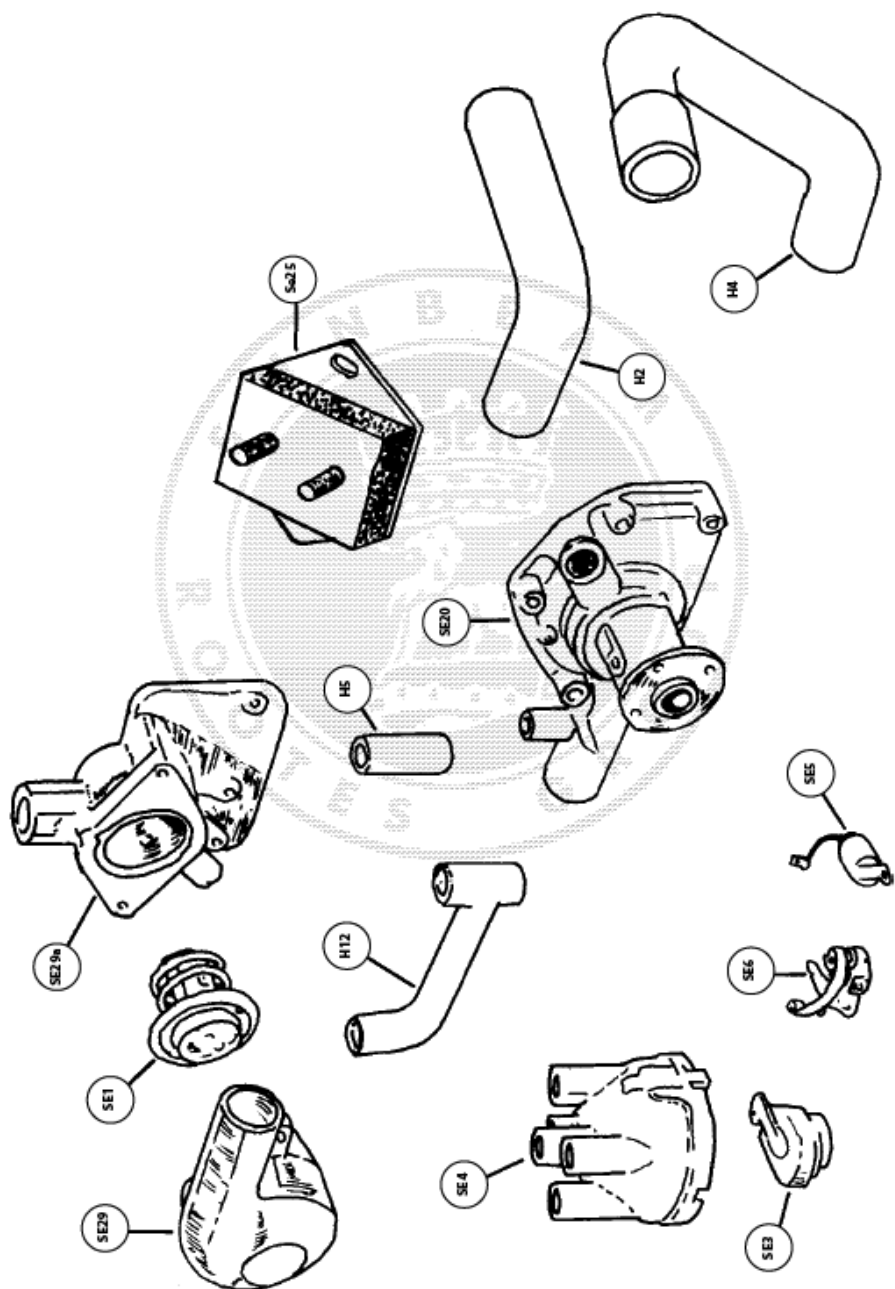
### Part Description

### Fits Series

Cylinder Heads: We can recondition customer's own unit or offer an exchange service.  
Unleaded conversions are now available as well as modified 'heads'.

CH2	Reconditioned and Unleaded Cylinder Head	1	2	3	4	5	-
CH5	Surcharge on Cylinder Heads	1	2	3	4	5	-
<i>(Refundable on receipt of customer's old unit, providing it is serviceable)</i>							
SE8	Oil Filter	1	2	-	-	-	-
SE9	Oil Filter	-	-	3	4	5	-
SE12	Timing Chain Kit (Chain, Tensioner and Gasket)	1	2	3	4	5	-
SE14	Oil Filler Cap	1	2	3	4	5	-
SE15	Rocket Shafts (Pair)	1	2	3	4	5	-
SE16	Rockers	1	2	3	4	5	-
SE17	Crankshaft Pulley Tabwasher	1	2	3	4	5	-
SE18	Camfollowers (Car Set)	1	2	3	4	5	-
SE19	Core Plug Set - 1600 or 1725	1	2	3	4	5	-
SE22	Oil Pump 1725	-	-	-	-	5	-
SE22b	Oil Pump Overhaul Kit (1600)	1	2	3	4	-	-
SE25	Engine Mounting	1	2	3	4	5	-
SE39	Camshaft Retaining Plate	1	2	3	4	5	-
SE43	Speedo Cable	1	2	3	4	5	-
SE48	Flywheel Ring Gear	1	2	3	4	5	-
SE49	Valve Spring Set	1	2	3	4	5	-
SE49a	Inlet/Exhaust Valves - Car Set	1	2	3	4	5	-
SE58	Timing Cover	1	2	3	4	5	-
SE59	Crankshaft Pulley (Lightweight, Machined Aluminium)	1	2	3	4	5	-
SE59a	Crankshaft Pulley Bolt	1	2	3	4	5	-
SE67	Oil Drain Plug	1	2	3	4	5	-
SE68	Crank Spigot Bush	1	2	3	4	5	-
SE70	Camshaft Timing Gear	1	2	3	4	5	-
SE71	Crankshaft Timing Gear	1	2	3	4	5	-
SE73	Oil Cooler Pipes (Car Set)	-	-	-	-	5	-
SE81	Engine bay Grommet Set	1	2	3	4	5	T
SE84	Pushrod Set 1725	-	-	-	-	5	-
SE87	Oil Gauge Hose	1	2	3	4	5	T
SE88	Valve Guide Set	1	2	3	4	5	T
SE89	Oil Filter Base Gasket	1	2	3	4	5	-
SE90	Piston Ring Set (4 per Car)	1	2	3	-	-	-
SE91	Piston Ring Set (3 per Car)	-	-	-	4	5	-
SE92	Piston C/W Rings (1600)	1	2	3	4	-	-
SE93	Piston C/W Rings (1725)	-	-	-	-	5	-
SE94	Main BRG Set (1600)	1	2	3	4	-	-
SE95	Main BRG Set (1725)	-	-	-	-	5	-
SE96	Big End BRG Set (1600)	1	2	3	4	-	-
SE97	Big End BRG Set (1725)	-	-	-	-	5	-
SE98	Thrustwashers (1600)	1	2	3	4	-	-
SE99	Thrustwashers (1725)	-	-	-	-	5	-
SE100	Camshaft Re-profiled Exchange (Standard & Performance)	1	2	3	4	5	T
SE101	Camshaft Bearing Set	1	2	3	4	5	T
SE104	Set Small End Bushes	1	2	3	4	5	T
SE105	bonnet release cable - universal	1	2	3	4	5	T
MSE105	Conrod bolt	1	2	3	4	5	-
MSE106	Conrod nut	1	2	3	4	5	-
MSE107	Conrod Complete 1725 Engine	-	-	-	-	5	-
MSE111	Rocker Shaft Front Ally Head 1725 Eng	-	-	-	-	5	-
MSE117	Rocker oil feed pipe Ally head	-	-	-	-	5	-
MSE122	Rocker oil feed adaptor ally head	-	-	-	-	5	-
OPR001	Oil pressure relief valve late Alpine	-	-	-	-	5	-





## Gaskets

Part Description		Fits Series					
G1	Cylinder Head Set	1	2	3	4	5	-
G1a	Head Gasket Only	1	2	3	4	5	-
G2	Conversion Set (Bottom End) 1600	1	2	3	4	5	-
G2a	Conversion Set 1725	-	-	-	-	5	-
G3	Sump Gasket Set	1	2	3	4	-	-
G3a	Sump Gasket Set	-	-	-	-	5	-
G4	Rocker Cover Gasket - Cork	1	2	3	4	5	-
G4a	Rocker Cover Gasket - Paper	1	2	3	4	5	-
G5	Exhaust/Inlet Manifold Gasket	1	2	3	4	5	-
G5a	Manifold Gasket - Holbay	1	2	3	4	5	-
G6	Side Plate (Tappet) Gasket	1	2	3	4	5	-

## Cooling System

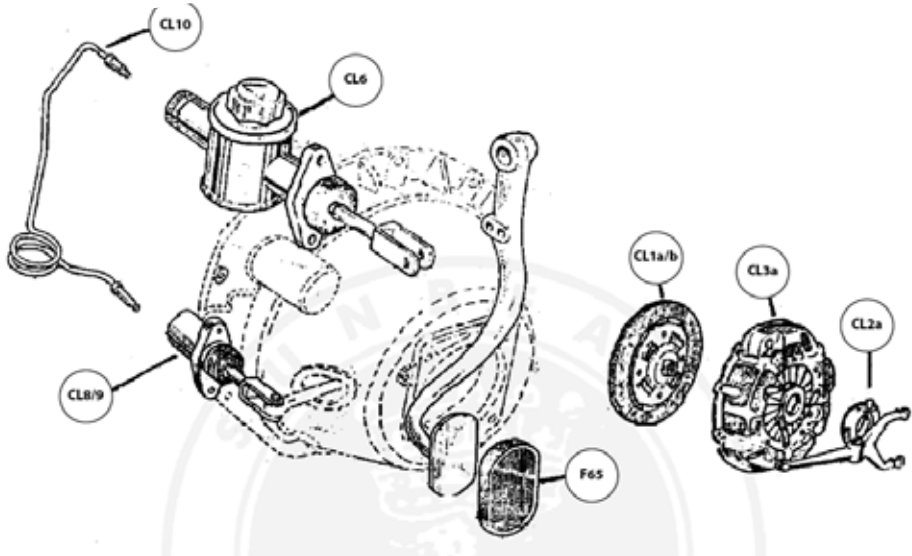
SE1	Thermostat	1	2	3	4	5	-
SE1a	Thermostat Gasket	1	2	3	4	5	-
SE2	Radiator Cap	-	-	3	4	5	-
SE2c	Radiator Cap	1	2	-	-	-	-
SE20	Waterpump (from Chassis No. B9115382) (EXCHANGE)	-	-	3	4	5	-
SE20a	Waterpump - (EXCHANGE)	1	2	-	-	-	-
SE29	Thermostat Cover/Outlet Pipe (Will fit S1/2 with SE29a)	-	-	3	4	5	-
SE29a	Thermostat Housing	-	-	3	4	5	-
SE47	Temp. Sender Unit	1	2	3	4	5	-
H1	Top Radiator Hose	1	2	-	-	-	-
H2	Top Radiator Hose	-	-	3	4	5	-
H3	Bottom Radiator Hose	1	2	-	-	-	-
H4	Bottom Radiator Hose	-	-	3	4	5	-
H5	By-pass Hose	-	-	3	4	5	-
H12	By-pass Hose	1	2	-	-	-	-
H13	Heater Hose (Not Shaped - per metre)	1	2	3	4	5	-
SO1	Heater Radiator - New Unit	1	2	3	4	5	-
SO3	Radiator, Reconditioned Exchange	1	2	3	4	5	-
SO3a	Surcharge on Radiator - Non-exchange	1	2	3	4	5	-
SO3b	30% Uprated Radiator - Reconditioned Exchange	1	2	3	4	5	-

## Fuel System

Carburettors: Customer's own unit fully reconditioned with 12 month guarantee.

CA1	Zenith (per pair)	1	2	-	-	-	-
CA2	Solex	-	-	3	4	-	-
CA3	Stromberg CD150 (per pair)	-	-	-	-	5	-
SE10	Air Filter, Chrome Pancake Type for Solex Carburettor	-	-	3	4	-	-
SE10a	Air Filter, Pancake Type for Zenith Carburettor	1	2	-	-	-	-
SE11a	Air Filter, Chrome Pancake Type for Stromberg Carburettor	-	-	-	-	5	-
SE31	Fuel Pump - Replacement with Metal Top	1	2	3	4	5	-
SE31b	Fuel Pump Overhaul Kit	1	2	3	4	5	-
SE32	Carburettor Grommet (for Main Rod)	1	2	3	4	5	-
SE33	Stromberg Carburettor Overhaul Kit (Per Carb.)	-	-	-	-	5	-
SE33a	Stromberg Needle & Jet Orifice	-	-	-	-	5	-
SE33b	Solex Carburettor Overhaul Kit	-	-	3	4	-	-
SE33c	Stromberg Spacer Block	-	-	-	-	5	-
SE33d	Zenith Carburettor Overhaul Kit (Per Carb.)	1	2	-	-	-	-
SE33e	Solex Secondary Diaphragm	-	-	-	4	-	-
SE33f	Weber Overhaul Kit	1	2	3	4	5	-
SE34a	Fan Belt Dynamo	1	2	3	4	-	-
SE34b	Fan Belt Alternator	-	-	-	-	5	-
SE45	Choke Cable (Universal)	1	2	3	4	5	-
SE50	Stromberg Carburettor Diaphragm	-	-	-	-	5	-
SE74	Petrol Sender Unit Sealing Ring	-	-	3	4	5	-
SE75	Stromberg Carburettor 'T' Piece	-	-	-	-	5	-
SE78	Copper Fuel Pipe (from Tanks to Pump)	-	-	3	4	5	-
SE82	Accelerator Rod/Grommet in Bulkhead	1	2	3	4	5	-
H8	Petrol Filler to Tank Hose	-	-	-	4	5	T
H11	Petrol Tank Connecting Hoses (Set of 4)	-	-	3	4	5	T

## Clutch



## Clutch

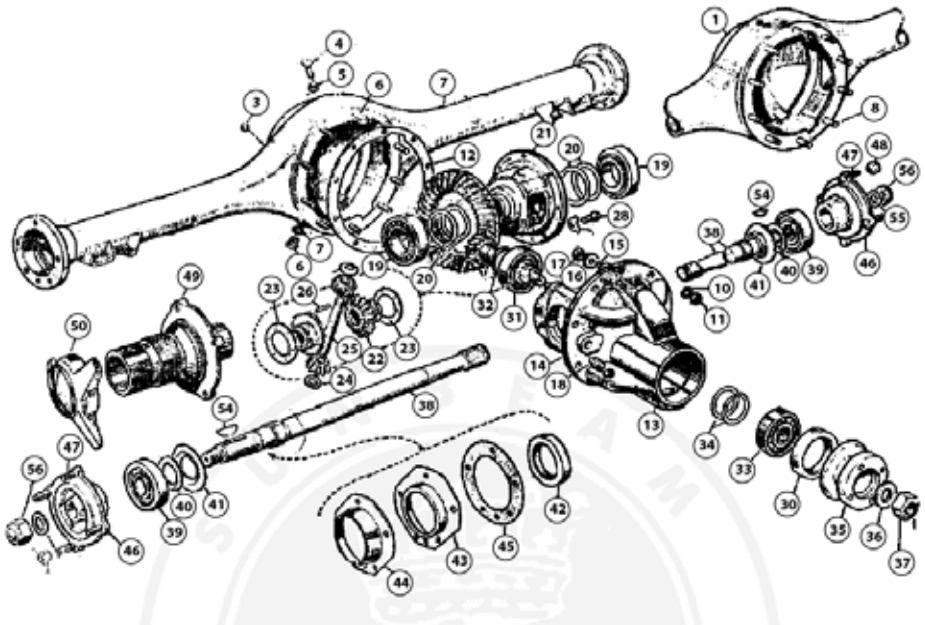
### Part Description

### Fits Series

CL1	Clutch Plate *	1	2	3	-	-	-	-	-
CL1a	Clutch Plate, Fine Spline from CH. B395017309 *	-	-	-	-	5	-	-	-
CL1b	Clutch Plate, Coarse Spline *	-	-	-	4	5	-	-	-
CL2	Release Bearing	1	2	3	-	-	-	-	-
CL2a	Release Bearing	-	-	-	4	5	-	-	-
CL3	Clutch Cover Assembly *	1	2	3	-	-	-	-	-
CL3a	Clutch Cover Assembly *	-	-	-	4	5	T	-	-
CL5	Master Cylinder Seal Kit (State Chassis Number)	1	2	3	4	5	-	-	-
CL6	Master Cylinder	1	2	3	4	5	-	-	-
CL7	Slave Cylinder Seal Kit	1	2	3	4	5	-	-	-
CL8	Slave Cylinder	1	2	3	-	-	-	-	-
CL9	Slave Cylinder	-	-	-	4	5	-	-	-
CL11	Copper Clutch Pipe	1	2	3	4	5	T	-	-
CL17	Clutch Plate Alignment Tool	1	2	3	4	5	T	-	-

Clutch exchange only - surcharge payable which is refundable upon receipt of customers serviceable old unit

## Gearbox



## Gaskets

### Part Description

GB1	Gearbox Mounting (2 per Car)
GB3	Gearbox Overhaul Kit
(Layshaft, Bearings, Oil Seals, Synchro Rings, Needle Rollers & Gaskets)	
GB4	Reconditioned Gearbox (Customers Own Unit)
GB5	Gearbox Gasket Kit
GB6	Front Oil Seal
GB6a	Rear Oil Seal
GB10	Baulk Ring
GB11	Layshaft Spindle
GB12	Set Layshaft Spindle Rollers

### Fits Series

1	2	3	4	5	-
1	2	3	4	5	-
1	2	3	4	5	-
1	2	3	4	5	-
1	2	3	4	5	T
1	2	3	4	5	-
-	-	-	4a	5	-
-	-	-	-	5	-

## Rear Axle

SU21	Propshaft Universal Joint	1	2	3	4	5	-
SU27a	Rear Hub Oil Seal	1	2	3	4	-	-
SU27c	Rear Hub Gasket (4 per Car)	1	2	3	4	5	-
SU29	Rear Axle Pinion Seal (Front of Differential)	1	2	3	4	-	-
SU29a	Rear Axle Pinion Seal (from CH. B395013608)	-	-	-	-	5	-
SU29b	Rear Axle Pinion Bearing	1	2	3	4	5	-
SU29c	Rear Axle Pinion Bearing (from CH. B395013608)	-	-	-	-	5	-
SU29d	Inner Pinion Bearing	1	2	3	4	5	T
SU31	Rear Wheel Bearing/Oil Seal	-	-	-	-	5	-
SU31a	Rear Wheel Bearing Only	1	2	3	4	-	-
SU42	Rear Hub Nut	1	2	3	4	5	-
SU41b	Differential to Axle Gasket	1	2	3	4	5	-
SU41c	Differential Bearings	1	2	3	4	5	T



**Suspension & Steering (incl. Shock Absorbers)**

Part Description	Fits Series
SU1a Draglink Bushes - Polyurethane (Pair)	1 2 3 4 5 -
SU2 Trackrod Ends, (per Pair, 2 Pairs per Car)	1 2 3 4 5 -
SU2b Trackrod End Gaitor	1 2 3 4 5 -
SU4 Top Balljoint	- - - 4 5 T
SU4b Circlip for Top of Balljoint	- - - 4 5 T
SU5 Bottom Balljoint	- - - 4 5 T
SU5a Top Balljoint Bolt	- - - 4 5 T
SU6 Bottom Balljoint	1 2 3 - - -
SU7 Kingpin Kit - Vertical Pin in Trunnion (per Slide)	1 2 3 - - -
SU8 Trunnion Pin Kit - Horizontal Pin (per Slide)	1 2 3 - - -
SU9 Upper Fulcrum Bar with Bushes	1 2 3 - - -
SU10 Lower Fulcrum Bar with Bushes	1 2 3 - - -
SU11 Upper Fulcrum Bar Only	- - - 4 5 T
SU12 Lower Fulcrum Bar Only	- - - 4 5 T
SU13 Rear Leaf Spring with Bushes	- - 3 4 5 T
SU13a Rear Leaf Spring Bush Bolt	1 2 3 4 5 T
SU14 Spring Bush, Small (Rear & Shackle)	1 2 3 4 5 T
SU14a Spring Bush, Large (Front)	- - 3 4 5 T
SU16 Front Wishbone Upper Bush as Original	- - - 4 5 T
SU16a Front Suspension Top Bush - Polyurethane	- - - 4 5 T
SU17 Lower Suspension Bush - As Original	- - - 4 5 T
SU17a Front Suspension Lower Bush - Polyurethane	- - - 4 5 T
SU18 Front Coil Spring	1 2 3 4 5 -
SU19 Coil Spring Rubber Insulator	1 2 3 4 5 -
SU27 Front Hub Bearing & Oil Seal Kit (per Side)	1 2 3 4 5 T
SU27b Front Hub Oil Seal Only (needs adapting to fit Alpine 1&2)	1 2 3 4 5 T
SU30 Anti-roll Bar Bush	1 2 3 4 5 T
SU32 Upper Front Bumpstop	1 2 3 - - -
SU33 Upper Front Bumpstop	- - - 4 5 T
SU33a Lower Front Bumpstop	1 2 3 4 5 T
SU36 Steering Column Bottom Arm Bush	1 2 3 4 5 -
SU36a Steering Idler Bush	1 2 3 4 5 -
SU38 Rear Spring 'U' Bolts (per Pair, 2 Pairs per Car)	1 2 3 4 5 T
SH1 Front shock Absorbers - Standard (per Pair)	1 2 3 - - -
SH1a Front Shock Absorbers - Spax Gas Adjustable (per Pair)	1 2 3 - - -
SH2 Front Shock Absorbers - Standard (per Pair)	- - - 4 5 T
SH2a Front Shock Absorbers - Spax Gas Adjustable (per pair)	- - - 4 5 T
SH3 Rear Shock Absorbers - Standard (per Pair)	- - 3 4 5 T
SH3a Rear Shock Absorbers - Spax Gas Adjustable (per Pair)	- - 3 4 5 T
SH4 Rear Telescopic Conversion Kit (use with SH3 or SH3a)	1 2 - - - -
SH6 Shock Absorber 'Eyelet' Bush (2 per Shock Absorber)	- - 3 4 5 T
SH7 Shock Absorber 'Pin' Bush	1 2 3 4 5 T



## Wheel Components

### Part Description

SO9	Wire Wheel, Silver Enamel Coated
SO9a	Wire Wheel, Chrome
SO10	Hub Set Convert Steel to Wire Wheels using Original Front Hubs & Bolt-on Rears
SO10a	Original Type Rear Wire Wheel Hub
SO10c	Bolt-on Rear Wire Wheel Hub
SO11	Chrome Wire Wheel Nut, Octagonal
SO11a	Chrome Wire Wheel Nut, Two Eared
SO12	Steel Wheel Stud
SO12a	Steel Wheel Nut
SO13	Copper/Leather Headed Hammer
SO14	Octagonal Spanner
SO4	Genuine Minilite Alloys, 6" x 13" (Set of 4)
SO5	Genuine Minilite Alloys, 6" x 14" (Set of 4)
SO5a	Genuine Minilite Alloys, 5.5" x 15" (Set of 4)

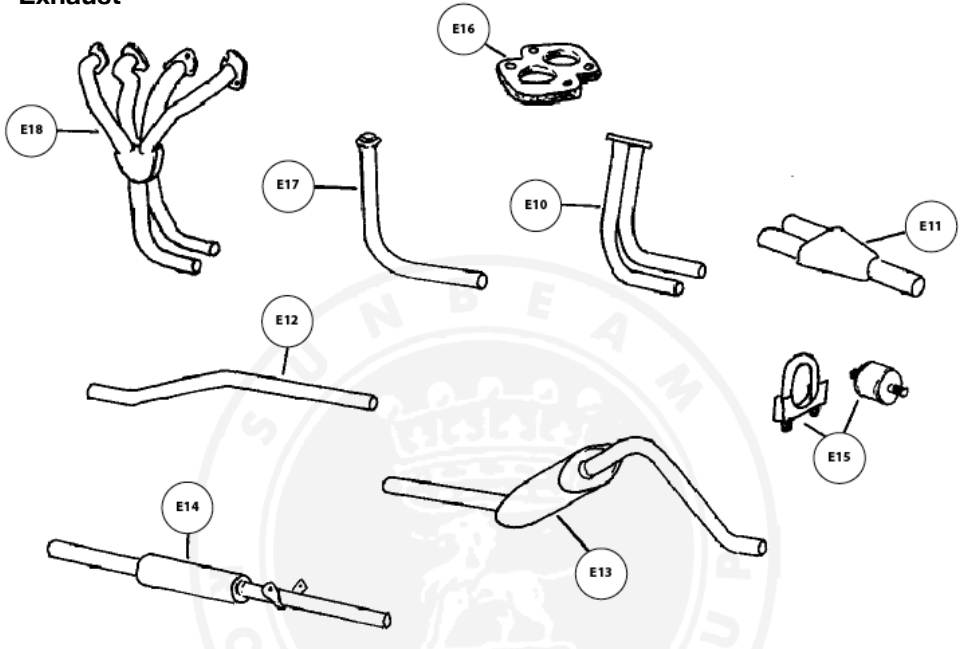
### Fits Series

1	2	3	4	5	-
1	2	3	4	5	-
1	2	3	4	5	-
1	2	3	4	5	-
1	2	3	4	5	-
1	2	3	4	5	T
1	2	3	4	5	T
1	2	3	4	5	T
1	2	3	4	5	T
1	2	3	4	5	T



Full Wire Wheel and Minilite Kits available including tyres. Contact us for further details.

## Exhaust



### Exhausts - Stainless Steel

Top quality highly polished stainless steel - lifetime guarantee on full systems  
(see Mild Steel Section for Fitting Kits)

#### Part Description

E9	Complete System (not 3 GT)
E9a	Complete System (3 GT Only)
E19	Complete System
E10	Twin Front Pipe
E11	'Y' Pipe
E12	Interpipe (Not Automatic)
E13	Interpipe/Silencer
E14	Tailpipe/Silencer
E18	Four Branch Manifold (in 2 Pieces)

#### Fits Series

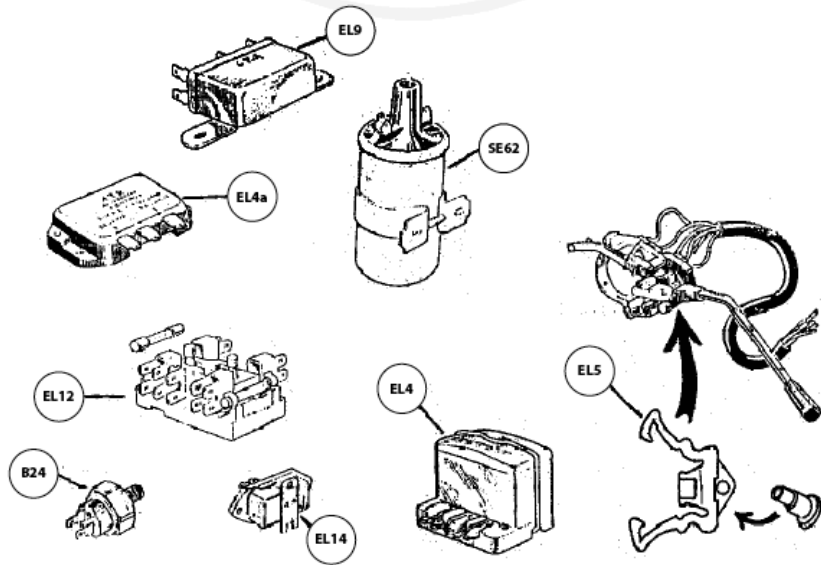
1	2	3	-	-	-
-	-	3	-	-	-
-	-	-	4	5	-
-	-	-	4	5	-
1	2	3	4	5	-
1	2	3	4	5	-
1	2	3	4	5	-
1	2	3	4	5	-

### Exhausts - Mild Steel (Separate Pipes Also Available)

E1	Complete System (not 3 GT)
E2	Complete System (3 GT Only)
E3	Complete System
E5	Interpipe, 4 Automatic Only
E6	Single Downpipe (3 GT Only)
E15	Exhaust Fitting Kit
E16	Twin Downpipe Gaske
E17	Single Downpipe
ME16	Exhaust Flange nut-Brass 3/8" UNF
ME16a	Exhaust Flange nut-Brass 5/16" UNF
ME17	Exhaust Stud 3/8" UNF
ME17a	Exhaust Stud 3/8" UNF

1	2	3	-	-	-
-	-	3	-	-	-
-	-	-	4	5	-
-	-	-	4	-	-
-	-	3	-	-	-
1	2	3	4	5	-
-	-	-	4	5	-
-	-	3	-	-	-
-	-	-	4	5	-
-	-	3	-	-	-
-	-	-	4	5	-

## Electrical



## Ignition

### Part Description

SE3	Rotor Arm
SE4	Distributor Cap (Push-in Terminals)
SE5	Condenser
SE6	Contact Sets/Points
SE7	Spak Plug
SE60	HT Lead Set
SE69	Coil
SE63	Low Tension Lead (Inside Distributor)

### Fits Series

1	2	3	4	5	-
1	2	3	4	5	-
1	2	3	4	5	-
1	2	3	4	5	-
1	2	3	4	5	-
1	2	3	4	5	-
1	2	3	4	5	-

### Electrical Equipment

EL1	Wiring Loom	1	2	3	4	5	-
EL18	Overdrive Loom	1	2	3	4	5	-
EL2	Dynamo - Reconditioned Exchange	1	2	3	4	-	-
EL2x	Surcharge for EL2 - Non Exchange	1	2	3	4	-	-
EL3	Starter Motor - Reconditioned Exchange	1	2	3	4	5	-
EL3x	Surcharge for EL3 - Non Exchange	1	2	3	4	5	-
EL4	Dynamo Control Box - RB106	1	2	3	-	-	-
EL4a	Dynamo Control Box - RB340	-	-	-	4	-	-
EL4b	Alternator Control Box - 4TR	-	-	-	-	5	-
EL5	Indicator Repair Kit	-	2	3	4	5	T
EL6	Alternator - Reconditioned Exchange	-	-	-	-	5	-
EL6x	Surcharge for EL6 - Non Exchange	-	-	-	-	5	-
EL8	Starter Solenoid	1	2	3	4	5	-
EL9	Alternator Relay - 6RA	-	-	-	-	5	-
EL10	Flasher Unit	1	2	3	4	5	T
EL11	Horn (2 per Car)	1	2	3	4	5	T
EL12	Fusebox	1	2	3	4	5	T
EL14	Instrument Voltage Regulator (for Temp. & Fuel Gauge)	-	-	3	4	5	-
EL15a	Overdrive Relay (New Unit)	1	2	-	-	-	-
EL16	Cable Insulators on Starter Solenoid (per Pair)	1	2	3	4	5	-
EL19	35A Fuse	1	2	3	4	5	T
EL22	Distributor Reconditioned - Exchange	1	2	3	4	5	T
F136	Plastic Washer Bottle with Built-in Electric Pump & Bracket	1	2	3	4	5	T

# Tiger Supplement

## Panels

Part Description

P20a	Front Floor Panel
P46	Radiator Shroud
P56	Gearbox Tunnel

+ other special reproduction Tiger Panels available including front inner wing reinforcement brackets, gearbox mounting bracket etc.

## Fittings

F26a	Tiger Script
F57	Stainless Steel Sidetrim Set (per Car)
F57a	Sidetrim Fixings (Packet of 50)
F59a	Wooden Boot Floor (Trimmed as Original)
F67	Rear Wing Badge, Chrome & Enamel
RU24a	Gearbox Chrome Ring with Screws
RU24b	Gearstick Gaitor

## Literature

SE41a	Workshop Manual (Reprint of Original)
SE42t	Owners Handbook - Tiger 260 (As Original)
SE42t2	Owners Handbook - Tiger Mk2 (As Original)
SE52a	Parts Book Supplement (Use with SE52 Alpine Book)
SE52b	Parts Book - Tiger 260
SE56	Tiger - An Exceptional Motor Car

## Brakes

B3c	Lockheed Replacement Servo Unit
B17b	Copper Brake Pipe Kit

## Service & Engine

SE23	Oil Filter
SE25a	Engine Mounting
SE61	Aluminium Rocker Covers "Tiger Powered by Ford" (Pair)
SE2a	Radiator Cap
SE20d	Waterpump
SE29t	Thermostat Cover, Polished with 'O' Ring
SE40	Thermostat
SE44	Speedo Cable
H6	Top Radiator Hose
H6a	Bypass Hose
H7	Bottom Radiator Hose
H10	Aluminium Elbow (RHD)
SE31t	Replacement Electric Fuel Pump
SE13	Air Filter - Original Fit K & N Washable, with Lifetime Guarantee
H9	Air Filter Breather Hose
SE13a	Air Filter Housing, Finned Aluminium
TG1	Top End Gasket Set
TG2	Bottom End Gasket Set

**Exhaust**

E8	Stainless Steel Exhaust System
E4	Mild Steel Exhaust System
E15a	Exhaust Fitting kit
E20	Tiger ex-man 'O' Ring

**Gearbox & Transmission**

SE44	Speedo Cable
GB2	Gearbox Mounting
GB7	Gearbox Gasket Set
GB8	Gearbox Front Oil Seal
GB9	Gearbox Rear Oil Seal
SU22	Propshaft Universal Joint

+ other parts available to enable rebuild of Tiger box - please phone for details

**Suspension & Steering**

SU2	Trackrod Ends (Pair)
SU18t	Standard Front Coil Spring
SU18a	'Rally' Coil Spring (490lbs)
SU18b	'Rally' Coil Spring (800lbs)
SU20	Steering Column Universal Joint
SU23	Steering Rack Gaitors (Pair)
SU35	New Replacement 'Quick Rack', RHD Only - with Fittings
SU40	Panhard Rod Bush Set
SU43	Upated Front Anti-roll Bar Complete with Nylon Bushes
SU13	Rear Leaf Spring with Bushes
SU11t	'Race Spec' Top Wishbone Pin with Polyurethane Bushes
SU12t	'Race Spec' Lower Pin with Polyurethane Bushes

Full steering rack reconditioning service available

**Clutch**

CL10	Drive Plate
CL11t	Copper Clutch Pipe
CL12	Slave Cylinder
CL12a	Slave Cylinder Seal Kit
CL13	Master Cylinder
CL13a	Master Cylinder Seal Kit
CL14	Release Bearing
CL15	Cover Plate

**Electrical & Ignition**

EL1a	Wiring Loom, Alternator or Dynamo + Upated Looms made to order
EL3a	Starter Motor
SE24	Spark Plug
SE35	Condenser
SE36	Contact Set
SE37	Rotor Arm
SE38	Distributor Cap

*Please Note: Most Tiger parts are common to the Alpine Series 4 & 5 (e.g. Brakes, Trim etc.) Please see relevant sections through this catalogue.*

## Used/Secondhand Spares

Over the year we have collected together an enviable range of spare parts.

These include many rare items that are not available new, together with an economical alternative for those on a budget.

### Example of spares available

- Wheels
- Glass
- Front and Rear axles
- Chrome work - including Bumpers, Grills, Badges etc.
- Body Panels - including Rust free Doors, Windscreen Frames, Bonnets and Boot lids
- Engines & Gearboxes for refurbishment
- Dashboards, Consoles  
all trim pieces.



Tel: 01527 401498  
Fax: 01527 543494

[www.sunbeam-alpine.co.uk](http://www.sunbeam-alpine.co.uk)  
[alpine.westmids@sunbeam-alpine.co.uk](mailto:alpine.westmids@sunbeam-alpine.co.uk)